

Rooftop Grid-Connected Solar Photovoltaic system

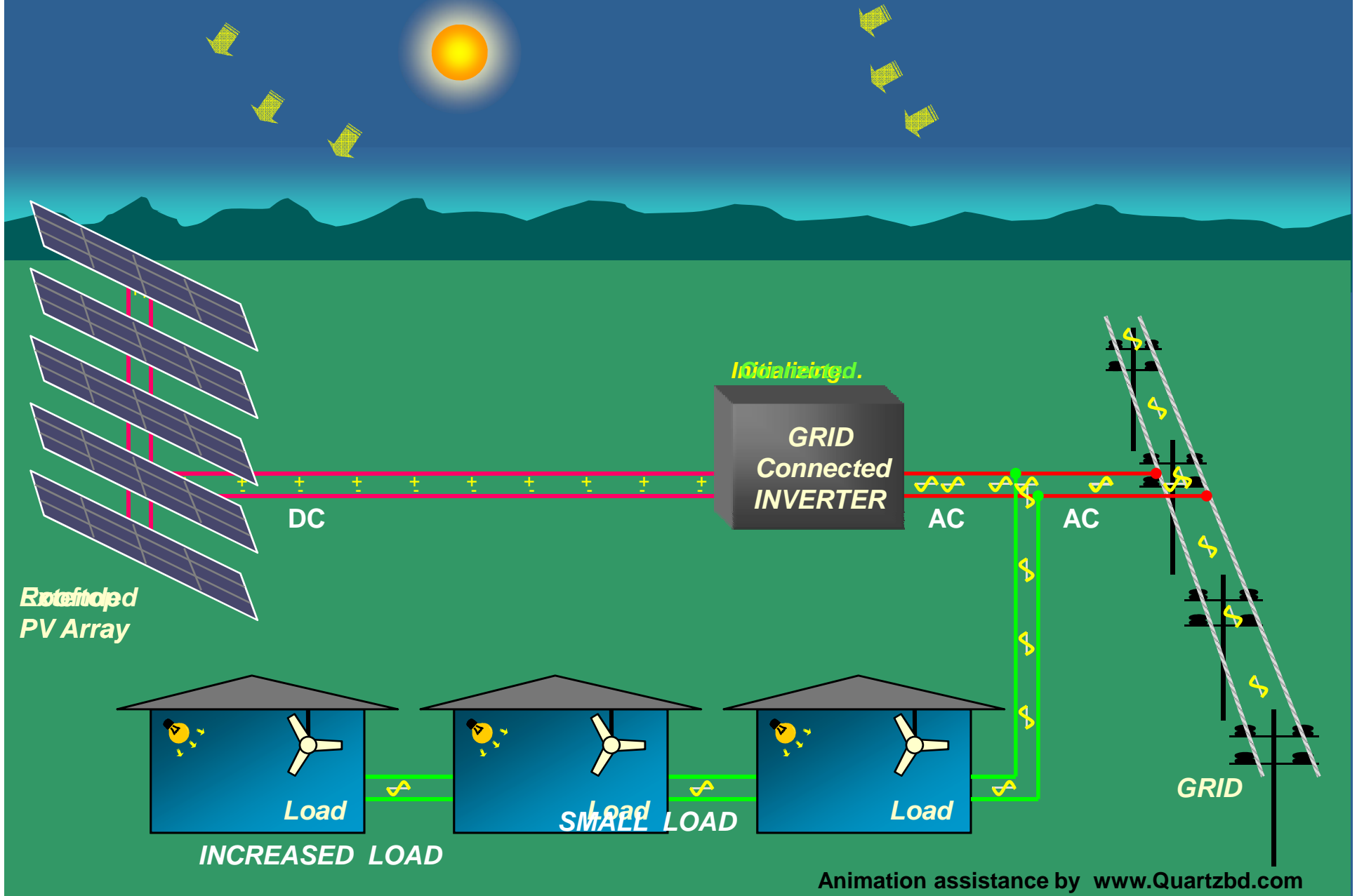
**Principal Investigator- Rezaul Karim Mazumder
Associate Investigator- Subrata Kumar Aditya, Saiful Huque,
and Md.Habibur Rahman
Research Associate- Md.Shamim Kaiser and Asif Anwar**

**Department of Applied Physics, Electronics and Communication Engineering,
University of Dhaka, Dhaka-1000, Bangladesh**

Installation Site: Renewable Energy Research Centre, University of Dhaka

Rooftop Grid Connected Solar PV system (Residential) without Power Back-up

~~THE PHOTOVOLTAIC SYSTEMS WHICH ARE CONNECTED TO THE GRID ARE NOT REQUIRED TO STORE ENERGY AND EXCESS AMOUNT TO THE GRID~~



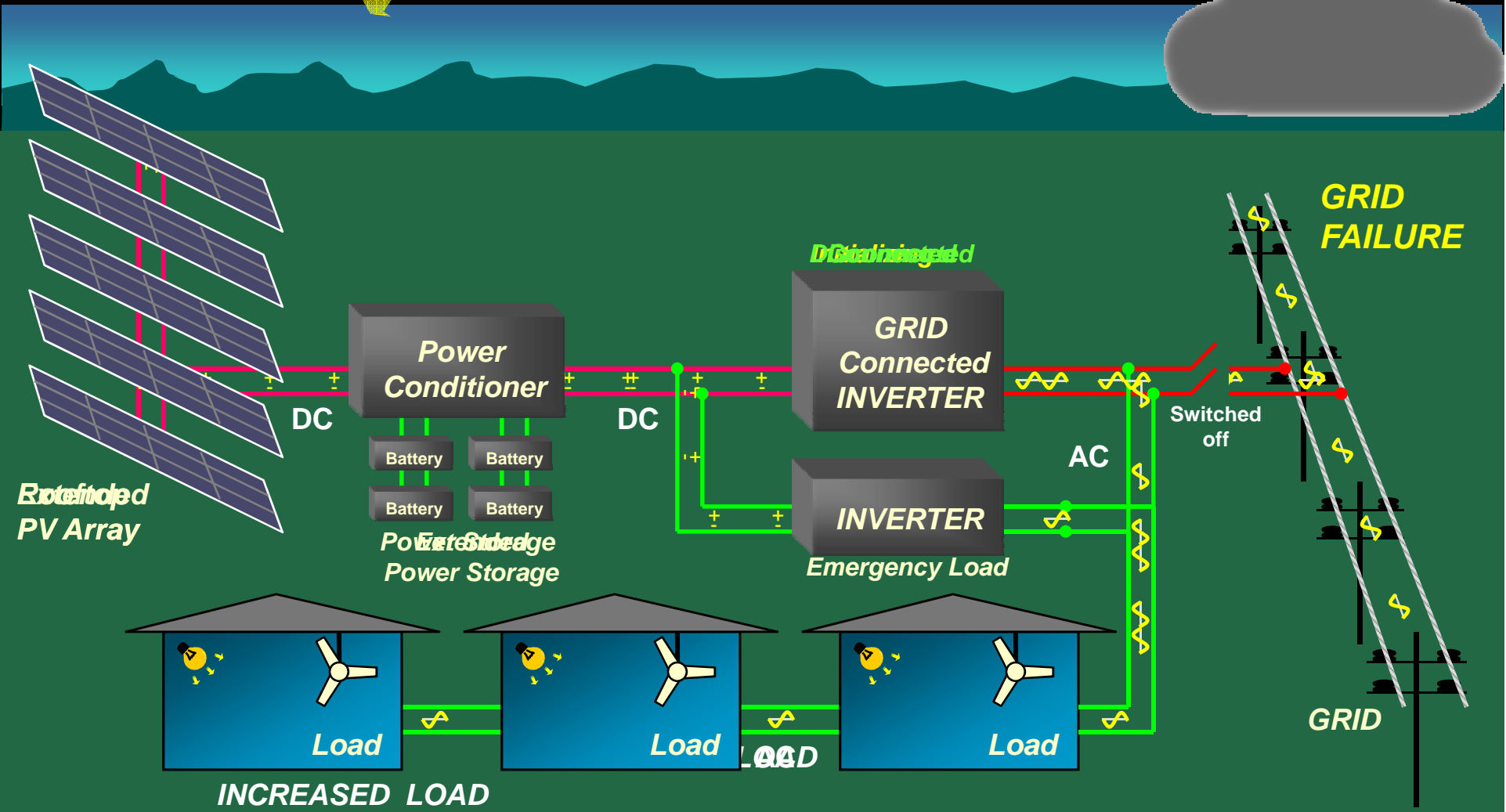
Grid connected PV system (Residential) with Power Back-up

LOADS ARE NOT SUPPLYING TO GRID AND BATTERY STORAGE BATTERY
 SUN ALONG WITH SUPPLYING TO LOAD AND GRID
 TRACKING

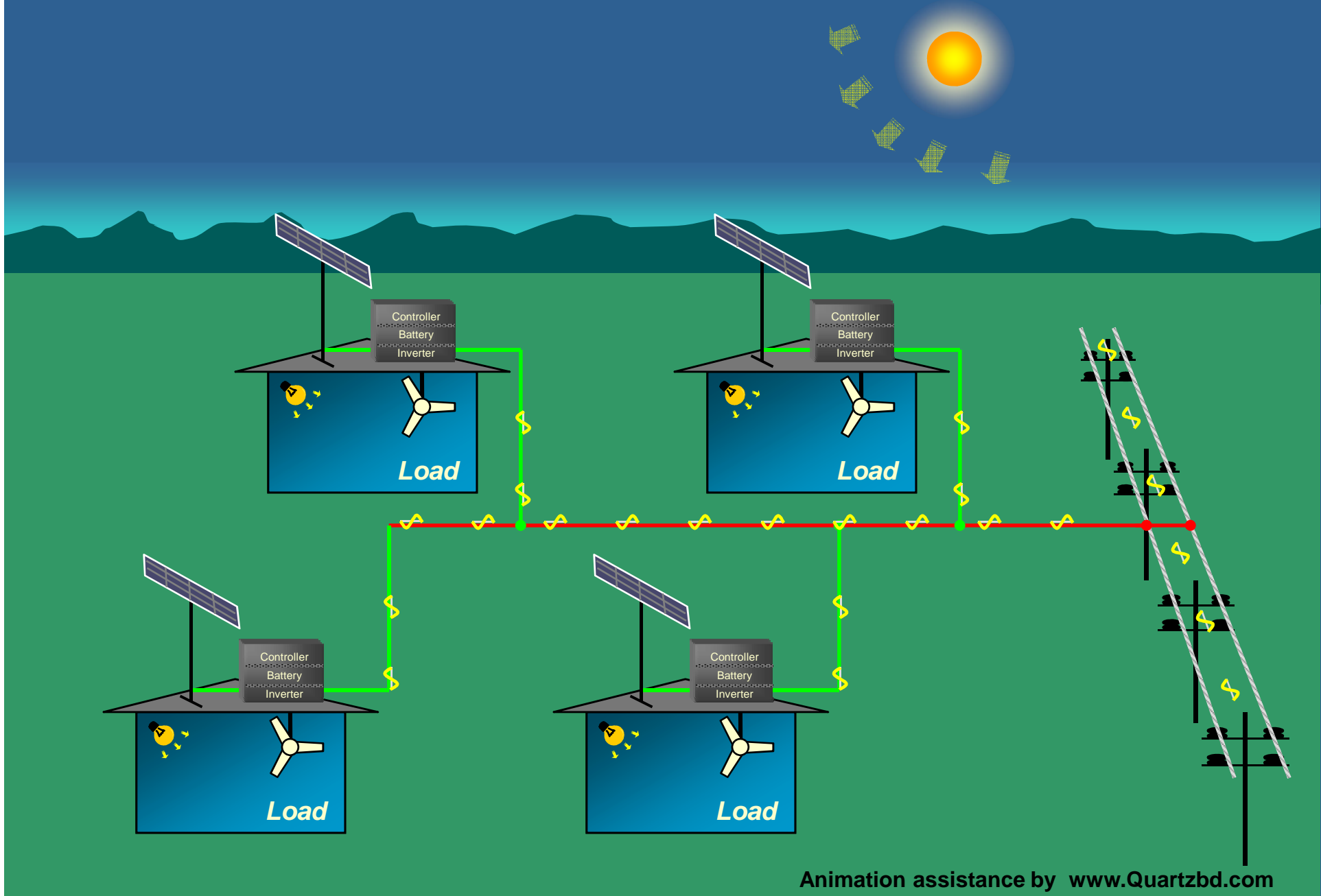
DURING
 DAYTIME

VERY DARK
 AND CLOUDY
 CONDITION

AFTER
 SUNSET



GRID Connected Photovoltaic System (Future Urban Model)



ACKNOWLEDGEMENT

We sincerely convey our gratefulness to Ministry of Science, Information and Communication Technology, GOB for the funding of this project.

We also convey our gratefulness to Department of Applied Physics, Electronics and Communication Engineering and RERC, University of Dhaka for all their support and cooperation.

**We welcome any constructive suggestion
for further improvement of this work**

**Contact person for further information and
communication,**

Prof. Rezaul Karim Majumder,

**Department of Applied Physics, Electronics and
Communication Engineering, University of Dhaka**

THANK YOU